

Features

- Universal input 90~264VAC
- Direct UK Fixed Plugtop Adapters
- Approved to UKCA, CE, RoHS & REACH
- EN/IEC 62368-1 Safety Approved
- Meets Efficiency Level VI & (EU) 2019/1782
- EMC Class B Certified
- Single Output 5 - 30V DC



Ideal Power's 25HK-AB-xYz-GB6 30W AC/DC External Adapter UK Plugtop Power Supply (PSU) Series are certified to UKCA, CE, RoHS & REACH & EN/IEC 62368-1 Standards and comply with (EU) 2019/1782, Level VI Efficiency Regulations. These are primarily used in ITE, Audio & Video Industries and customised solutions are available upon request.

Models

Model Number	Output Voltage (V DC)	Output Current (A)	Output Power (W)
25HK-AB-050A400-GB6	5	4	20
25HK-AB-059A300-GB6	5.9	3	17.7
25HK-AB-060A300-GB6	6	3	18.0
25HK-AB-075A250-GB6	7.5	2.5	18.8
25HK-AB-090A250-GB6	9	2.5	22.5
25HK-AB-120A250-GB6	12	2.5	30.0
25HK-AB-140A214-GB6	14	2.14	30.0
25HK-AB-140A240-GB6	14	2.4	33.6
25HK-AB-150A200-GB6	15	2	30.0
25HK-AB-180A166-GB6	18	1.66	29.9
25HK-AB-240A125-GB6	24	1.25	30
25HK-AB-300A100-GB6	30	1	30

Input Data

	Min	Typical	Max	Units	Notes
Input Voltage	100		240	V AC	+/- 10%
Input Frequency	47		63	Hz	50-60Hz +/- 5%
Input Current			0.8	A	
Inrush Current			60	A	At cold start, 100 / 240V AC
Leakage Current			0.25	mA	

Output Data

	Min	Typical	Max	Units	Notes
Ripple & Noise	150		300	mV	@20MHz bandwidth with 10UF/50V capacitance and 104/50V ceramic capacitor. Depending on model
Temperature coefficient			±0.05	%/°C	
Line Regulation			±2	%	
Dielectric Strength					Primary to Secondary: AC 3000Vrms, 4 mA, 1 minute for type test, 2 second for production test.
Input Protection					The switching power supply has a 10-ohm fusing resistor current protect itself.
Over Current Protection					Overload conditions shall decrease the output voltage.
Short Circuit Protection					Auto Recovery
Over Voltage Protection					Will recover if fault condition is removed
Efficiency	≥75%		≥90%		@ average of 25/50/75/100% loads 115V&230VAC input* Depending on model.
Hold up Time					10ms Min at 110VAC full load.
Turn on Time					2S Max at 110VAC full load.

Note: *Test condition will be tested after full load operating for 30min then measure it.

Environmental Data

	Min	Typical	Max	Units	Notes
Operating Temperature	0		40	°C	
Storage Temperature	-20		+70	°C	
Operating Humidity	10		95	%	Operating 10% to 95%
Storage Humidity	10		95	%	Storage 5% to 95%

Other Information

	Min	Typical	Max	Units	Notes
Isolation					AC 3000Vrms, 4mA, 1 Minute for type test.
MTBF		50,000		hrs	At 2.
Weight				200 +/-10g	
Dimensions					Refer to mechanical drawings

EMC Emissions (2014/30/EU)

	Standard	Test Level	Criteria	Notes
Conducted	EN 55032	Pass	B	EMC Directive 2014/30/EU
Radiated	EN 55032	Pass	B	
Harmonic Standard	EN 61000-3-2			
Voltage fluctuation	EN 61000-3-3	Pass		Voltage fluctuations & Flicker

EMC Immunity (2014/30/EU)

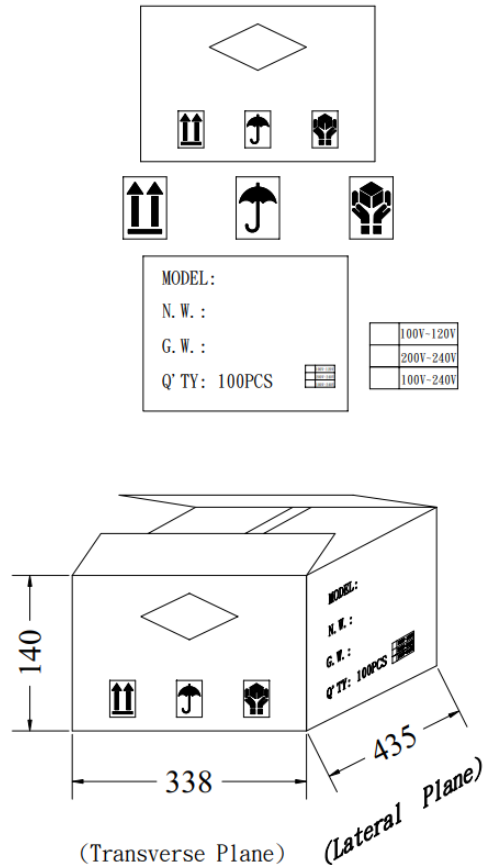
	Standard	Test Level	Criteria	Notes
ESD	IEC 61000-4-2	Pass		Contact: +/- 4KV; Air: +/- 8KV
RS	IEC 61000-4-3			Frequency: 80-1000MHz. Field Strength: 3V/M ' 80% AM (1KHz)
EFT	IEC 61000-4-4			0.5/1.0KV on input AC power ports
Surge	IEC 61000-4-5			Line to Line: +/- 1KV (peak); Line to F.G: +/- 2KV (peak)
Conducted	IEC 61000-4-6			CS: 0.15~ 80MHz, 3Vrm, 80% AM, 1kHz
PFMF	IEC 61000-4-8			50 Hz or 60Hz, 1A/m
Dips and Interruptions	IEC 61000-4-11			V/D: >95% reduction for 0.5 period VI:>95% reduction for 250 period.

Safety Approvals

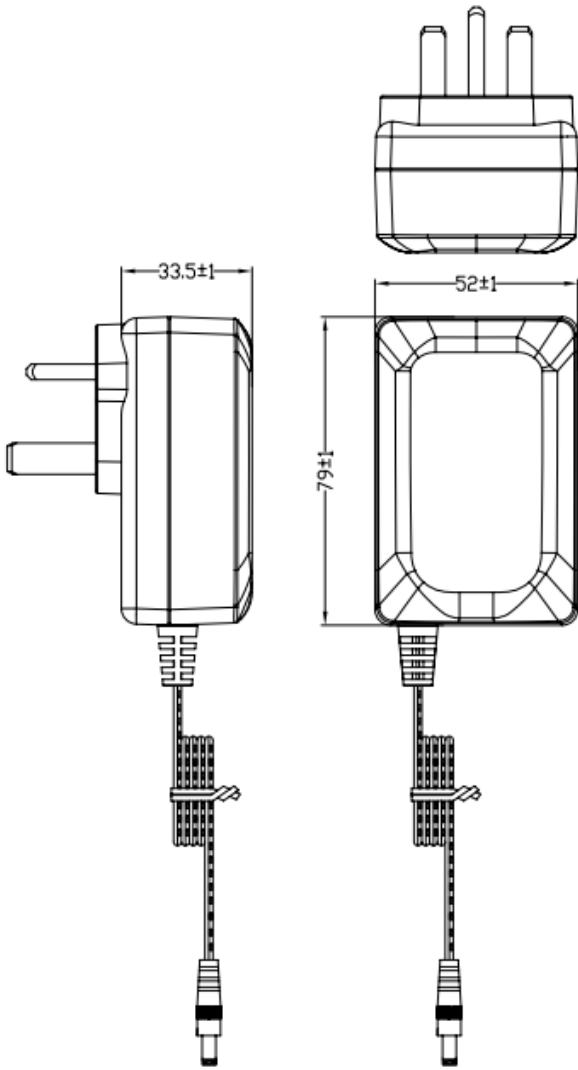
	Safety Standards
RoHS/REACH	RoHS Directive (EU) 2015/863 & REACH (205 SVHC)
UKCA & CE Directive 2014/35/EU	Yes (UK/European)
cULus & FCC	Yes –(US)
RCM	Yes – (Australia)

Packaging

Carton Unit:mm



Mechanical Drawing



IP SWITCHING POWER SUPPLY
IDEALPOWER

MODEL: HK-AB

INPUT: 100-240V~50/60Hz 0.8A

OUTPUT: 12.0V---2.5A 30.0W



MADE IN CHINA MMYYS